



AM series LifePo4 Battery

AM5120S Rack/Wall Mounted

51.2V/100Ah/5.12KWh



Cycle life

>6000 Cycles @ 90%DOD



Consistency of battery cells

Active equalization (3A)
Settable charging voltage



Touch screen

View battery information
Set communication protocol and DIP



Scalable: paralleled 16 sets

Battery: 5.12kWh; Cabinet: 51.2kWh;
Paralleled 6 cabinets 307.2kWh



Intelligent BMS

Wider compatibility;
Automatic DIP Setting



Car-grade LiFePo4 battery

Compact, safe, stable, flexible



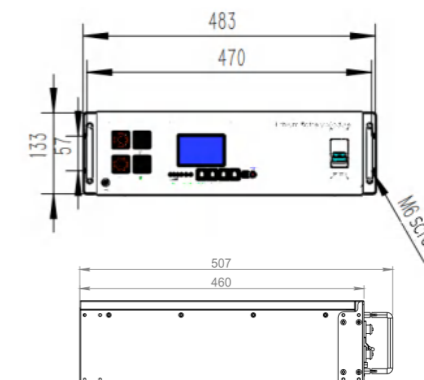
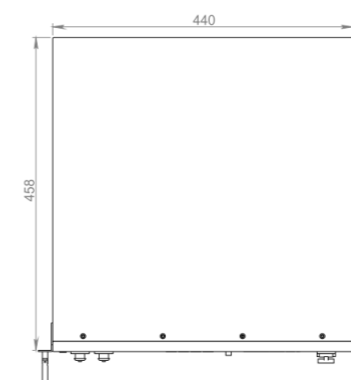
Auto-heating function

Heating below 0°C
BMS automatic management



Customizable

Indoor or outdoor cabinets as request



| Model | AM5120S |
|-----------------------------|---|
| Nominal Voltage | 51.2V |
| Voltage Range | 44.8V~57.6V |
| Nominal Capacity | 100Ah |
| Nominal Energy | 5.12kWh |
| Charge Current | 50A |
| Max Charge Current | 100A |
| Discharge Current | 50A |
| Max Discharge Current | 100A |
| Charge Temperature | 0°C~+55°C |
| Discharge Temperature | -20°C~+55°C |
| Battery Equalization | Active 3A and Passive |
| Heating Function | BMS automatic management when charging temperature below 0°C (Optional) |
| Relative Humidity | 5% - 95% |
| Dimension(L*W*H) | 442*480*133mm |
| Weight | 45±1KG |
| Communication | CAN, RS485 |
| Enclosure Protection Rating | IP21 |
| Cooling Type | Natural Cooling |
| Cycle Life | ≥6000 |
| Recommend DOD | 90% |
| Design Life | 20+ Years (25°C@77°F) |
| Safety Standard | CE/UN38.3 |
| Max. Pieces of Parallel | 16 |