



AMW10240 **LifePo4 Battery**

51.2V/200Ah/10.24KWh

Floor/Wall-mounted



Cycle life

>6000 Cycles @ 90%DOD



Consistency of battery cells

20 Years life span
Settable charging voltage



Intelligent BMS

Wider compatibility;



Scalable: paralleled 16 sets

Battery:10.24kWh - 163.84kWh



Multiple installation method

Wall mounted, Floor mounted



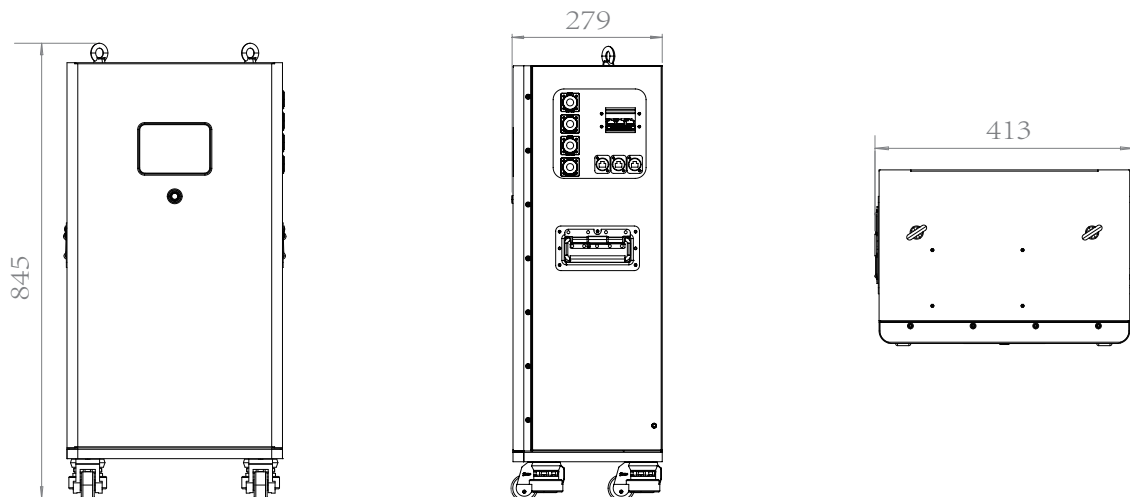
Touch screen

Set communication protocol and DIP
View battery information



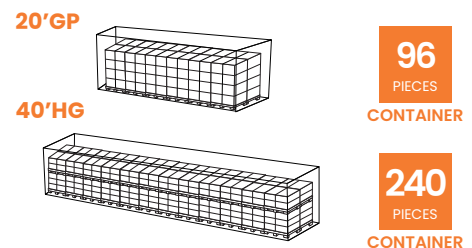
Web

Amensolar



Model		AMW10240	
Module Type	LFP 10.24kWh / LV		
Nominal Voltage	51.2V		
Operating Voltage Range	44.8~58.4V		
Nominal Capacity	200Ah		
Nominal Energy (at 25°C)	10.24kWh		
DOD	90%		
Charge/Discharge Current	100A		
Max Charge/Discharge Current	200A		
Charge Temperature	0~55°C		
Discharge Temperature	-10~50°C		
Relative Humidity	5% - 95%		
Communication Interface	CAN / RS485		
Enclosure Protection Rating	IP 52		
Cooling Type	Natural cooling		
Cycle Life	≥6000		
Warranty	10 years		
Life Span	20+ Years (25°C)		
Max. Pieces of Parallel	16		
Dimension (L*W*H)	277*400*735mm		
Weight	85±1kg		
Certificates	IEC61000/CE/UN38.3/MSDS		

Packing	Carton	
Dimension (L*W*H)	435*485*870mm	
Gross Weight (kg)	95.5kg	
Pieces per Pallet	8	
Container	20'GP	40'HQ
Pallets per Container	12	24
Pieces per Container	96	240



Packing Configuration